

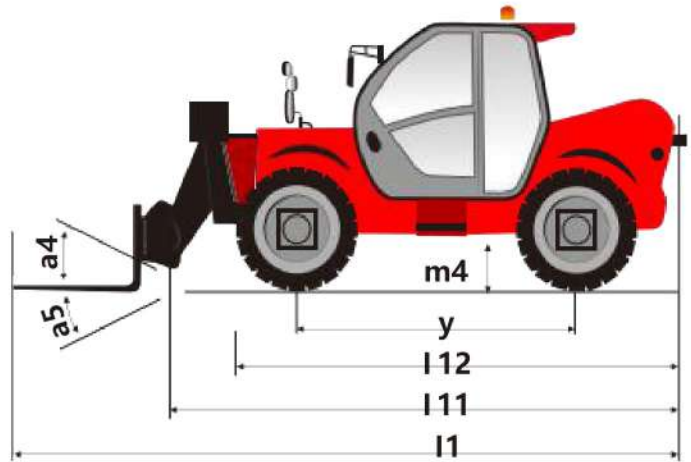
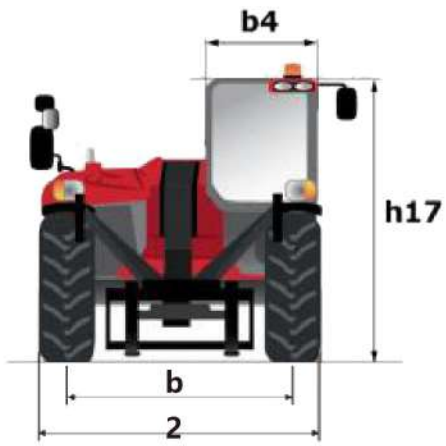
HIXEN MACHINERY

HX3007 TELEHANDLER

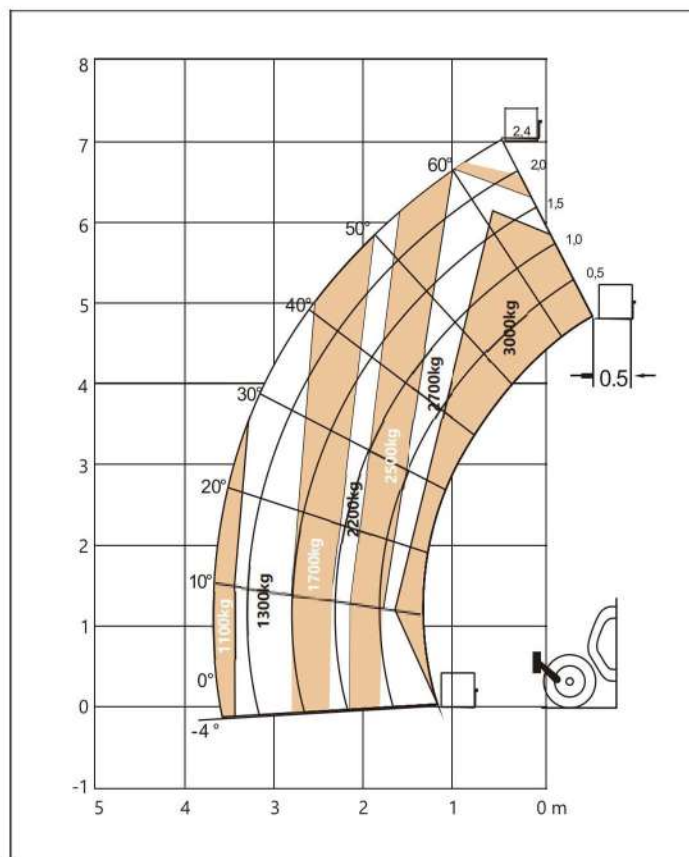


 **HIXEN**

Capacities		T3007
Max. Capacities		3000 kg
Max. lifting height		7.0 m
Max. outreach		3.2 m
Weight and dimensions		
Overall length to carriage	l11	4.65 m
Length to face of forks	l1	5.87 m
Min transport size	l12	4.35 m
Overall width	b1	
Track width	b2	1.78 m
Overall height	h17	2.55 m
Wheelbase	y	3.15 m
Ground clearance	m4	0.35 m
Overall cab width	b4	0.84 m
Tilt-up angle	a4	12 °
Tilt-down angle	a5	90 °
External turning radius(over tyres)		4.25 m
Unladen weight(with fork)		7600 kg
Tires type		Pneumatic
Standard tires	l/e/s	16/70 -20
Forks length/width/ section		1220 mm x 125 mm /50 mm
Performances		
Lifting		10 s
Lowering		7 s
Extension		12 s
Retraction		8.6 s
Crowd		4.8 s
Dump		3.4 s
Engine		
Engine brand		Yunnei Engine
Engine norm		National II
Max. fuel sulphur content		5000 ppm
Engine model		YN38GBZ
Number of cylinders / Capacity of cylinders		4 - 4400 cm ³
I.C. Engine power rating - Power		103 Hp / 76kw
Max. torque /Engine rotation		400 Nm @ 1400 rpm
Drawbar pull (Laden)		10000 daN
Transmission		
Transmission type		Torque converter
Number of gears (forward / reverse)		4 / 4
Max.travel speed		35 km/h
Parking brake		Automatic air-cut brake
Service brake		immersed multi-discs braking on front & rear axles
Hydraulics		
Hydraulic pump type		Gear pump
Hydraulic flow		120L
Tank capacities		
Engine oil		5.5L
Hydraulic oil		170L
Fuel tank		195L
Noise and vibration		
Noise at driving position (LpA)		82 dB
Noise to environment (LwA)		105 dB
Vibration on hands/arms		< 2.50 m / s ²
Miscellaneous		
Steering wheels (front/rear)		2 / 2
Drive wheels (front/rear)		2 / 2
Safety cab homologation		FOPSlevel 2 cab



Machine on tyres with forks - with levelling device Metric



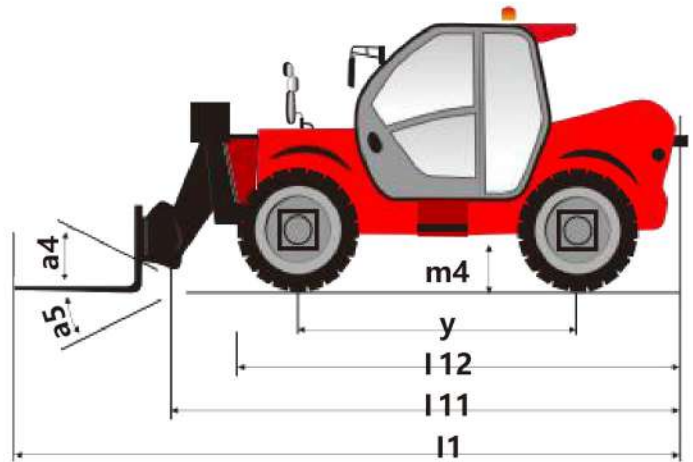
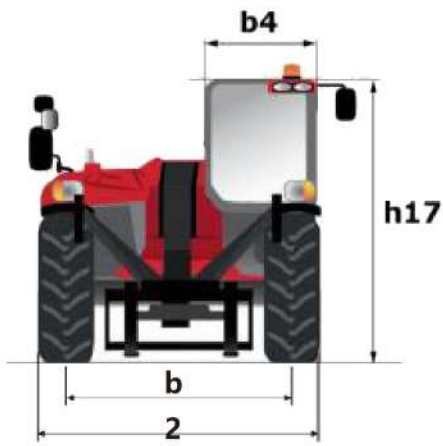
HIXEN MACHINERY

HX3507 TELEHANDLER

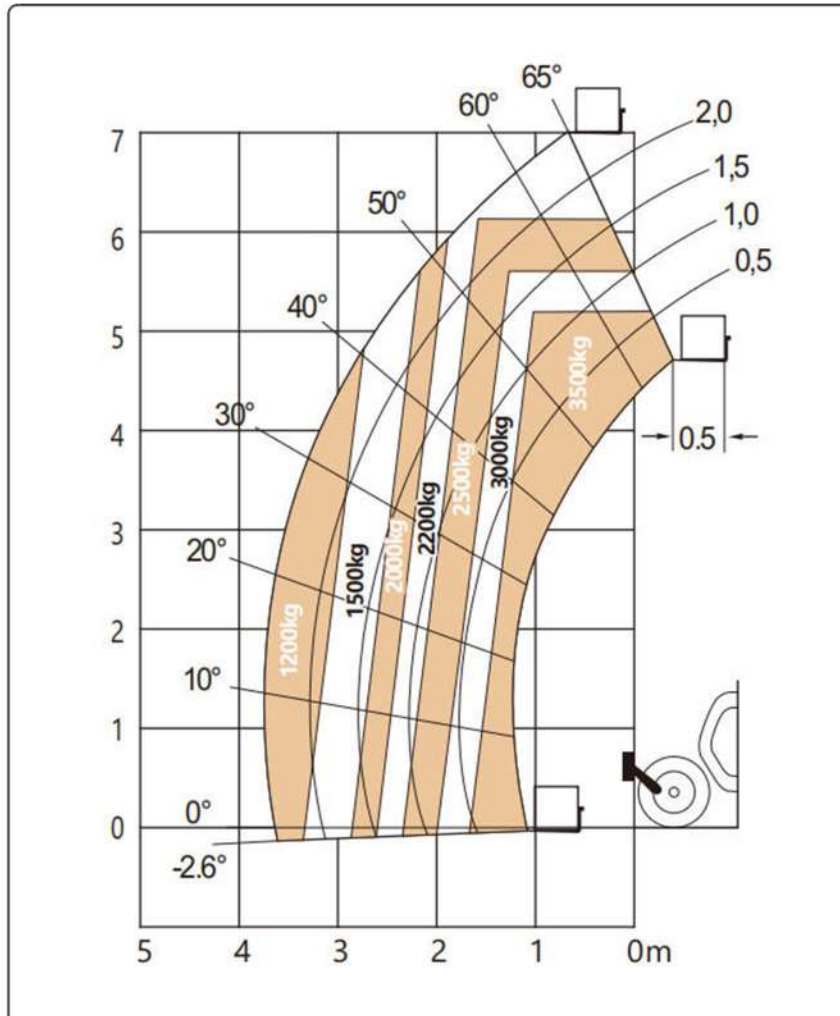


 **HIXEN**

Capacities		HX3507
Max. Capacities		3500 kg
Max. lifting height		7.0 m
Max. outreach		3.2 m
Weight and dimensions		
Overall length to carriage	l11	4.65 m
Length to face of forks	l1	5.87 m
Min transport size	l12	4.35 m
Overall width	b1	2.2 m
Track width	b2	1.78 m
Overall height	h17	2.55 m
Wheelbase	y	3.15 m
Ground clearance	m4	0.35 m
Overall cab width	b4	0.84 m
Tilt-up angle	a4	12 °
Tilt-down angle	a5	90 °
External turning radius(over tyres)		4.25 m
Unladen weight(with fork)		7600 kg
Tires type		Pneumatic
Standard tires	l/e/s	16/70 -20
Forks length/width/ section		1220 mm x 125 mm /50 mm
Performances		
Lifting		10 s
Lowering		7 s
Extension		12 s
Retraction		8.6 s
Crowd		4.8 s
Dump		3.4 s
Engine		
Engine brand		Yunnei Engine
Engine norm		National II
Max. fuel sulphur content		5000 ppm
Engine model		YN38GBZ
Number of cylinders / Capacity of cylinders		4 - 4400 cm ³
I.C. Engine power rating - Power		103 Hp / 76kw
Max. torque /Engine rotation		400 Nm @ 1400 rpm
Drawbar pull (Laden)		10000 daN
Transmission		
Transmission type		Torque converter
Number of gears (forward / reverse)		4 / 4
Max.travel speed		35 km/h
Parking brake		Automatic air-cut brake
Service brake		immersed multi-discs braking on front & rear axles
Hydraulics		
Hydraulic pump type		Gear pump
Hydraulic flow		120L
Tank capacities		
Engine oil		5.5L
Hydraulic oil		170L
Fuel tank		195L
Noise and vibration		
Noise at driving position (LpA)		82 dB
Noise to environment (LwA)		105 dB
Vibration on hands/arms		< 2.50 m / s ²
Miscellaneous		
Steering wheels (front/rear)		2 / 2
Drive wheels (front/rear)		2 / 2
Safety cab homologation		FOPSlevel 2 cab



Machine on tyres with forks - with levelling device Metric



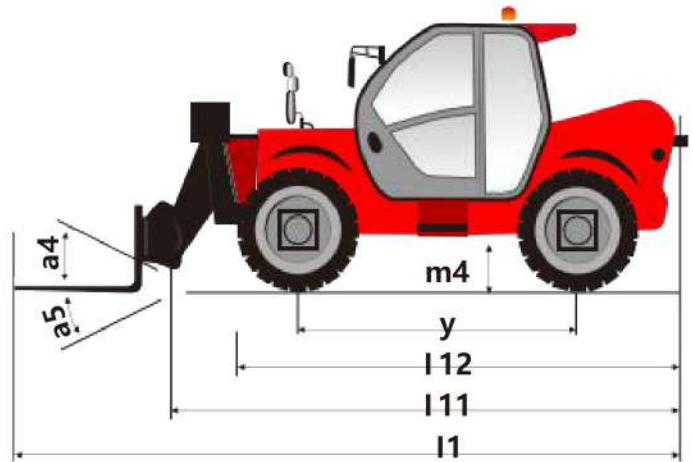
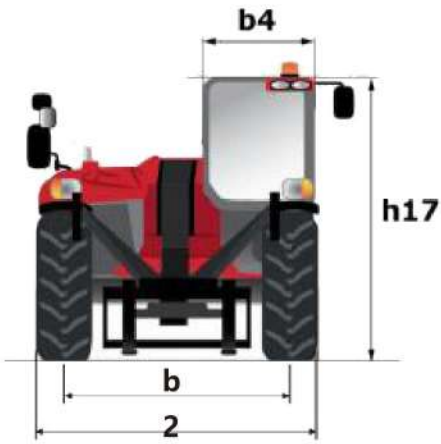
HIXEN MACHINERY

HX3510 TELEHANDLER



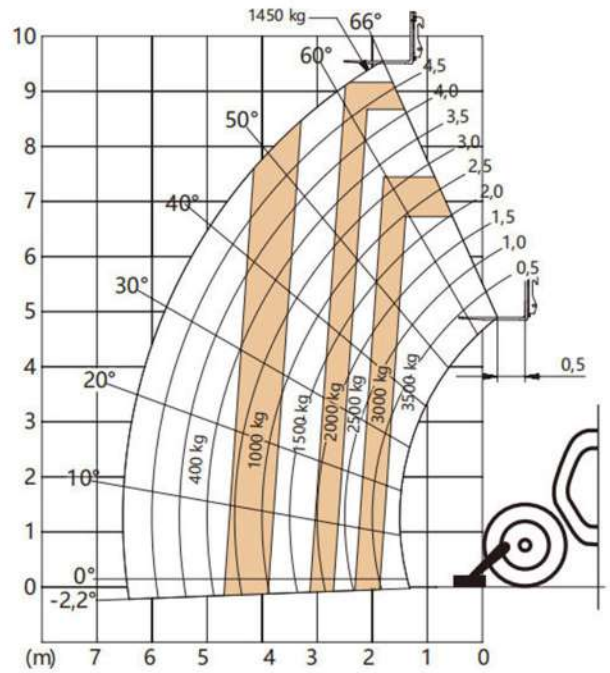
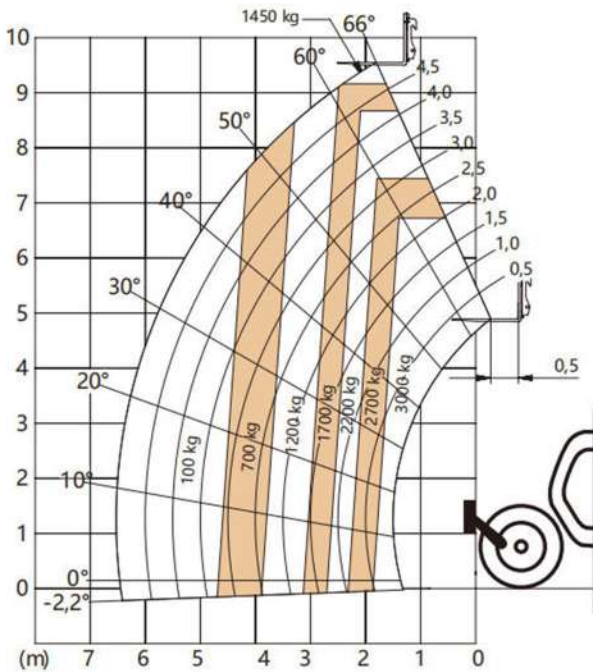
 **HIXEN**

Capacities		HX3510
Max. Capacities		3500 kg
Max. lifting height		10.0 m
Max. outreach		6.1 m
Weight and dimensions		
Overall length to carriage	l11	5.8 m
Length to face of forks	l1	7.0 m
Min transport size	l12	5.05 m
Overall width	b1	2.2 m
Track width	b2	1.78 m
Overall height	h17	2.55 m
Wheelbase	y	3.15 m
Ground clearance	m4	0.35 m
Overall cab width	b4	0.84 m
Tilt-up angle	a4	12 °
Tilt-down angle	a5	90 °
External turning radius(over tyres)		4.25 m
Unladen weight(with fork)		9500 kg
Tires type		Pneumatic
Standard tires	l/e/s	16/70 -20
Forks length/width/ section		1220 mm x 125 mm /50 mm
Performances		
Lifting		10 s
Lowering		7 s
Extension		12 s
Retraction		8.6 s
Crowd		4.8 s
Dump		3.4 s
Engine		
Engine brand		Yuchai Engine
Engine norm		National II
Max. fuel sulphur content		5000 ppm
Engine model		YCD4M22T-105
Number of cylinders / Capacity of cylinders		4 - 4400 cm ³
I.C. Engine power rating - Power		103 Hp / 77.3kw
Max. torque /Engine rotation		400 Nm @ 1400 rpm
Drawbar pull (Laden)		10000 daN
Transmission		
Transmission type		Torque converter
Number of gears (forward / reverse)		4 / 4
Max.travel speed		35 km/h
Parking brake		Automatic air-cut brake
Service brake		immersed multi-discs braking on front & rear axles
Hydraulics		
Hydraulic pump type		Gear pump
Hydraulic flow		120L
Tank capacities		
Engine oil		5.5L
Hydraulic oil		170L
Fuel tank		195L
Noise and vibration		
Noise at driving position (LpA)		82 dB
Noise to environment (LwA)		105 dB
Vibration on hands/arms		< 2.50 m / s ²
Miscellaneous		
Steering wheels (front/rear)		2 / 2
Drive wheels (front/rear)		2 / 2
Safety cab homologation		FOPStlevel 2 cab



Machine on tyres with forks - with levelling device Metric

Machine on lowered stabilisers with forks Metric



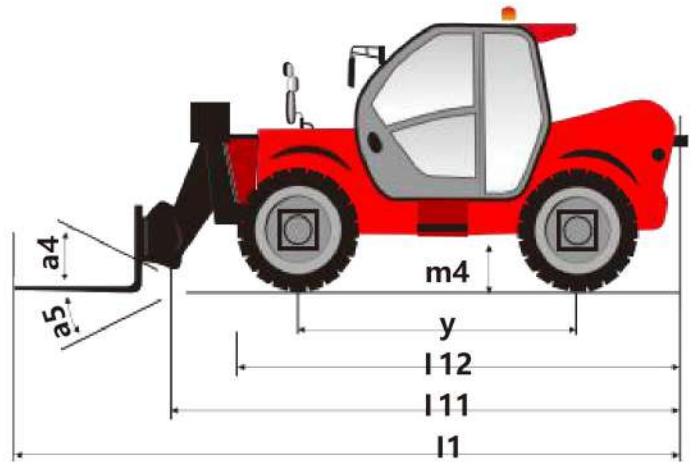
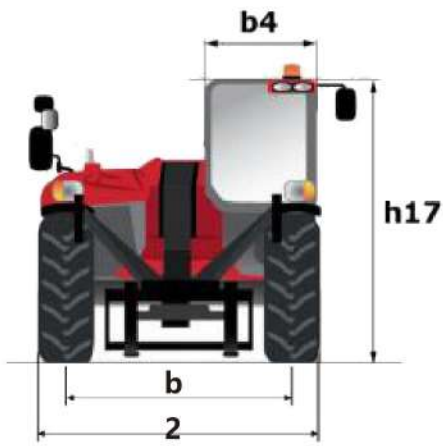
HIXEN MACHINERY

HX4007 TELEHANDLER

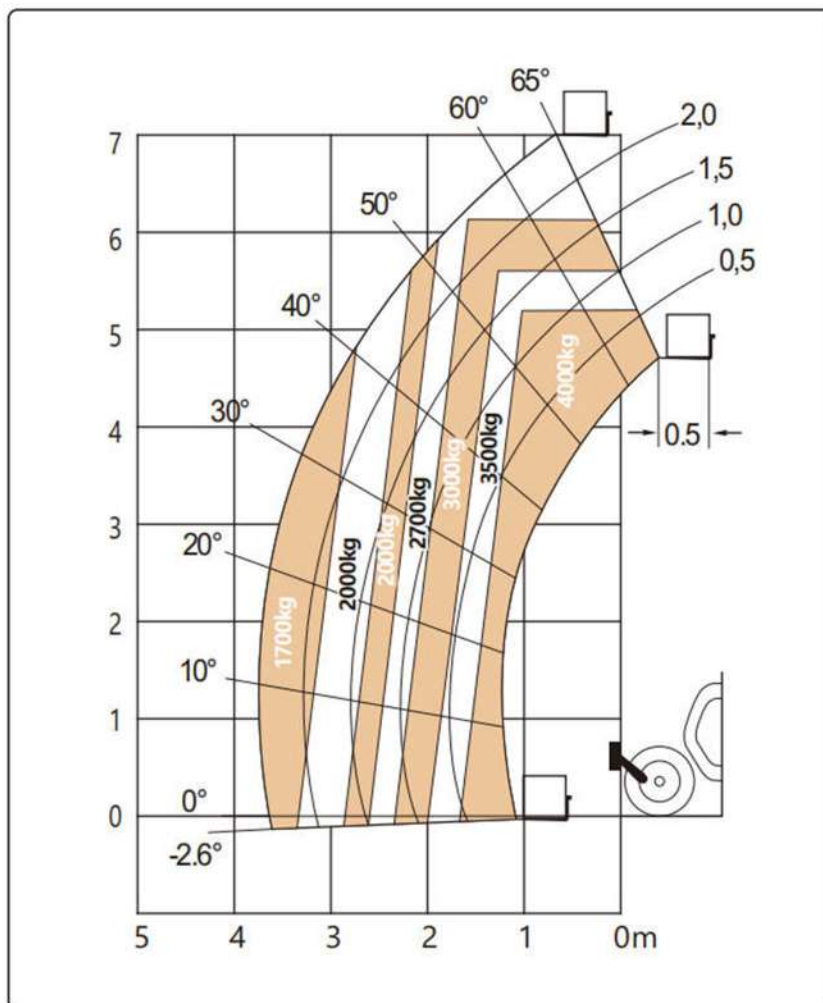


 **HIXEN**

Capacities		HX4007
Max. Capacities		4000 kg
Max. lifting height		7.0 m
Max. outreach		3.2 m
Weight and dimensions		
Overall length to carriage	l11	4.65 m
Length to face of forks	l1	5.87 m
Min transport size	l12	4.35 m
Overall width	b1	2.2 m
Track width	b2	1.78 m
Overall height	h17	2.55 m
Wheelbase	y	3.15 m
Ground clearance	m4	0.35 m
Overall cab width	b4	0.84 m
Tilt-up angle	a4	12 °
Tilt-down angle	a5	90 °
External turning radius(over tyres)		4.25 m
Unladen weight(with fork)		8100 kg
Tires type		Pneumatic
Standard tires	l/e/s	16/70 -20
Forks length/width/ section		1220 mm x 125 mm /50 mm
Performances		
Lifting		10 s
Lowering		7 s
Extension		12 s
Retraction		8.6 s
Crowd		4.8 s
Dump		3.4 s
Engine		
Engine brand		Yuchai Engine
Engine norm		National II
Max. fuel sulphur content		5000 ppm
Engine model		YCD4M22T-115
Number of cylinders / Capacity of cylinders		4 - 4400 cm ³
I.C. Engine power rating - Power		114 Hp /85kw
Max. torque /Engine rotation		400 Nm @ 1400 rpm
Drawbar pull (Laden)		10000 daN
Transmission		
Transmission type		Torque converter
Number of gears (forward / reverse)		2 / 2
Max.travel speed		35 km/h
Parking brake		Automatic air-cut brake
Service brake		immersed multi-discs braking on front & rear axles
Hydraulics		
Hydraulic pump type		Gear pump
Hydraulic flow		150L
Tank capacities		
Engine oil		5.5L
Hydraulic oil		170L
Fuel tank		195L
Noise and vibration		
Noise at driving position (LpA)		82 dB
Noise to environment (LwA)		105 dB
Vibration on hands/arms		< 2.50 m / s ²
Miscellaneous		
Steering wheels (front/rear)		2 / 2
Drive wheels (front/rear)		2 / 2
Safety cab homologation		FOPSlevel 2 cab



Machine on tyres with forks - with levelling device Metric

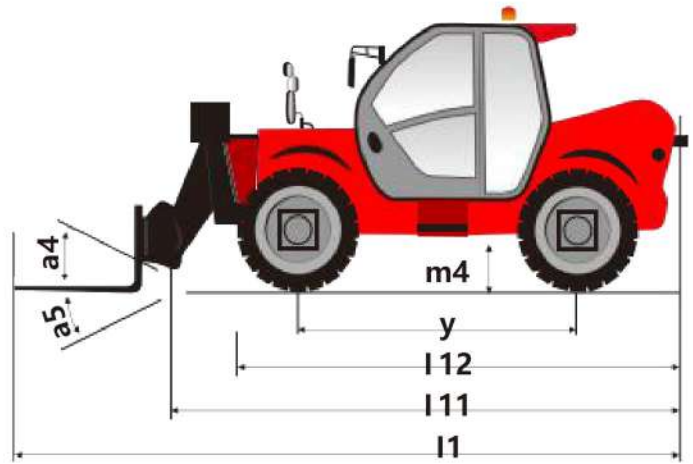
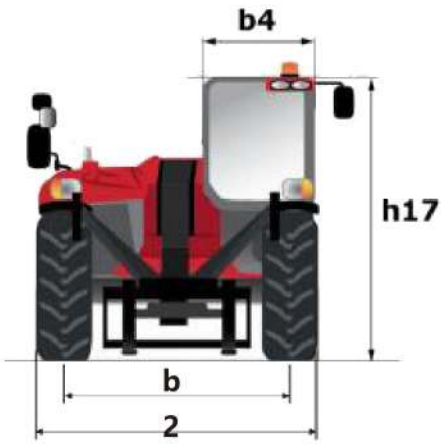


HIXEN MACHINERY

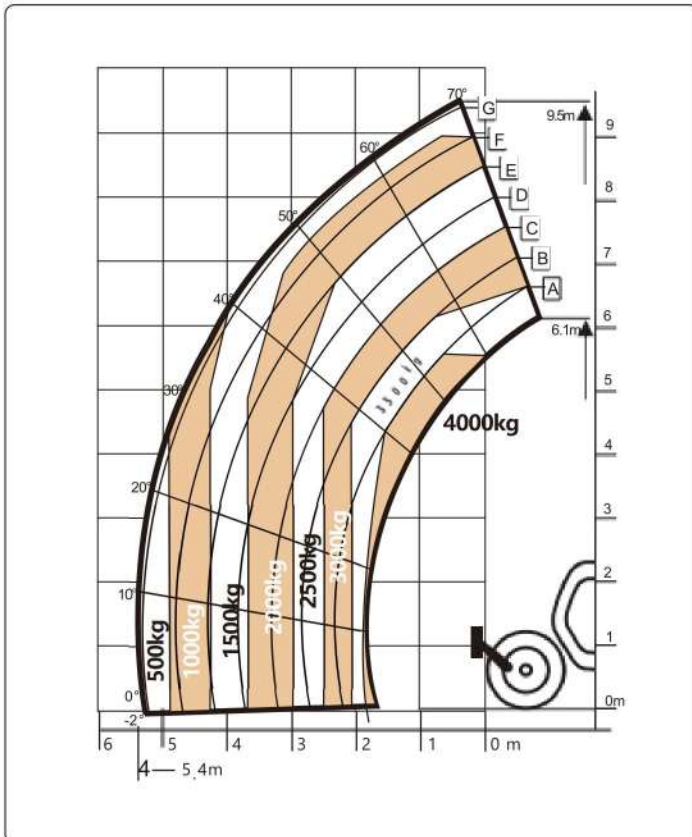
HX4010 TELEHANDLER



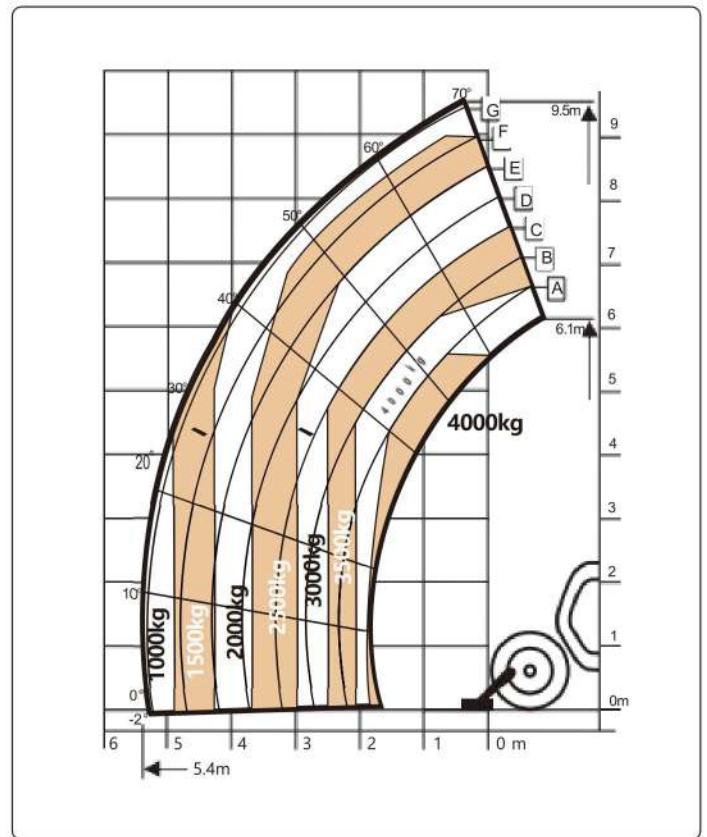
Capacities		HX4010
Max. Capacities		4000 kg
Max. lifting height		10.6 m
Max. outreach		6.1 m
Weight and dimensions		
Overall length to carriage	l11	5.8 m
Length to face of forks	l1	7.0 m
Min transport size	l12	5.05 m
Overall width	b1	2.2 m
Track width	b2	1.78 m
Overall height	h17	2.55 m
Wheelbase	y	3.15 m
Ground clearance	m4	0.35 m
Overall cab width	b4	0.84 m
Tilt-up angle	a4	12 °
Tilt-down angle	a5	90 °
External turning radius(over tyres)		4.25 m
Unladen weight(with fork)		10300 kg
Tires type		Tubeless
Standard tires	l/e/s	400/70-24
Forks length/width/ section		1220 mm x 125 mm /50 mm
Performances		
Lowering		10 s
Extension		7 s
Retraction		12 s
Crowd		8.6 s
Dump		4.8 s
		3.4 s
Engine		
Engine brand		Yuchai Engine
Engine norm		National II
Max. fuel sulphur content		5000 ppm
Engine model		YCD4J22T-115
Number of cylinders / Capacity of cylinders		4 - 4400 cm ³
I.C. Engine power rating - Power		114 Hp /85kw
Max. torque /Engine rotation		400 Nm @ 1400 rpm
Drawbar pull (Laden)		10000 daN
Transmission		
Transmission type		Torque converter
Number of gears (forward / reverse)		4 / 4
Max.travel speed		35 km/h
Parking brake		Automatic air-cut brake
Service brake		immersed multi-discs braking on front & rear axles
Hydraulics		
Hydraulic pump type		Gear pump
Hydraulic flow		150L
Tank capacities		
Engine oil		5.5L
Hydraulic oil		170L
Fuel tank		195L
Noise and vibration		
Noise at driving position (LpA)		82 dB
Noise to environment (LwA)		105 dB
Vibration on hands/arms		< 2.50 m / s ²
Miscellaneous		
Steering wheels (front/rear)		2 / 2
Drive wheels (front/rear)		2 / 2
Safety cab homologation		FOPSlevel 2 cab



Machine on tyres with forks - with levelling device Metric



Machine on lowered stabilisers with forks Metric



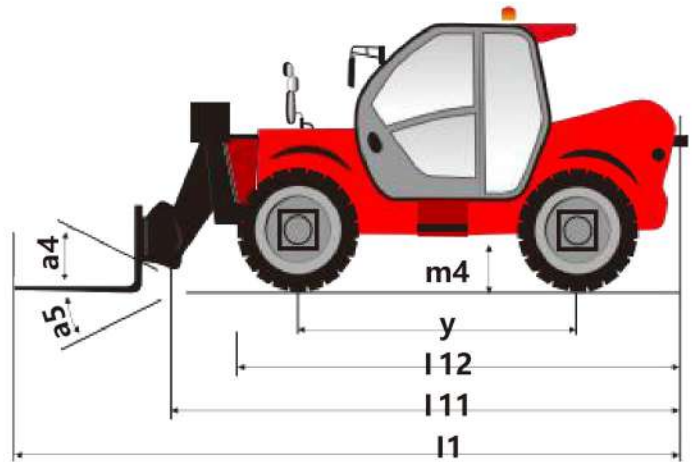
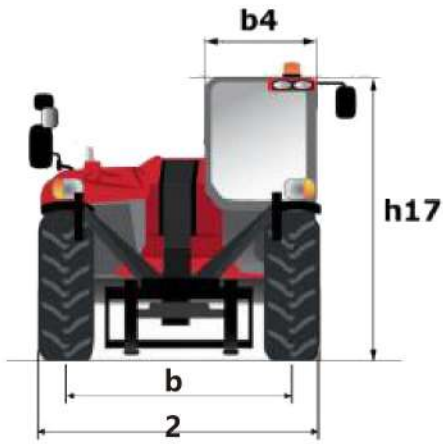
HIXEN MACHINERY

HX4014 TELEHANDLER

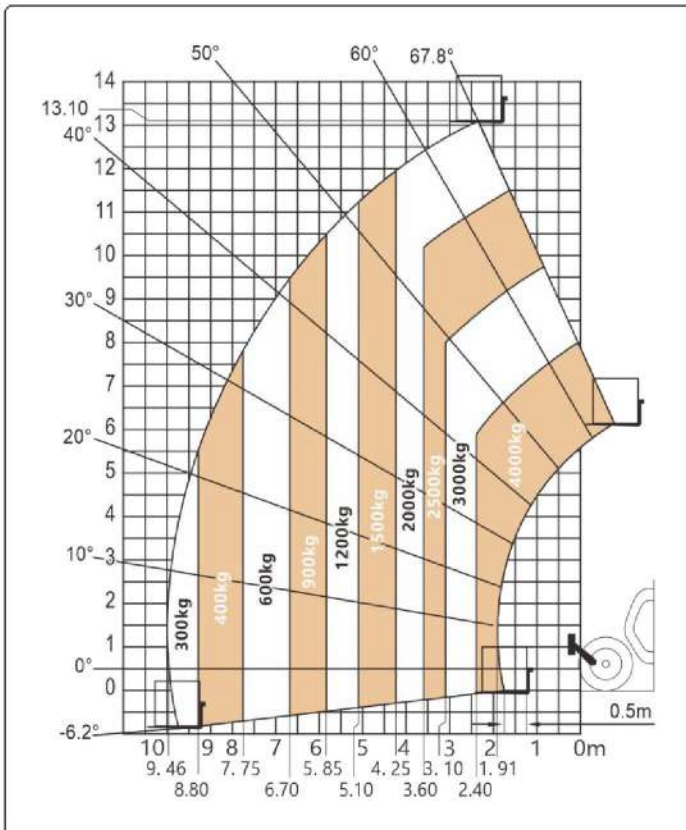


 **HIXEN**

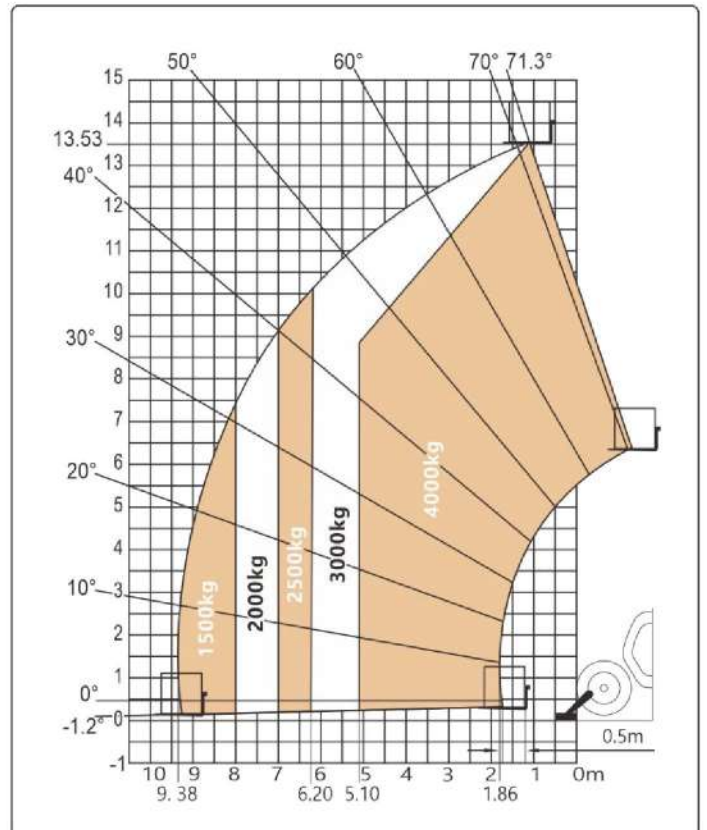
Capacities		HX4014
Max. Capacities		4000 kg
Max. lifting height		13.8 m
Max. outreach		7.0 m
Weight and dimensions		
Overall length to carriage	l11	6.4 m
Length to face of forks	l1	7.62 m
Min transport size	l12	5.6 m
Overall width	b1	2.35 m
Track width	b2	1.95 m
Overall height	h17	2.55 m
Wheelbase	y	3.6 m
Ground clearance	m4	0.38 m
Overall cab width	b4	0.84 m
Tilt-up angle	a4	12 °
Tilt-down angle	a5	90 °
External turning radius(over tyres)		4.1 m
Unladen weight(with fork)		13000 kg
Tires type		Tubeless
Standard tires	l/e/s	440/80-24
Forks length/width/ section		1220 mm x 125 mm /50 mm
Performances		
Lifting		16 s
Lowering		12.4 s
Extension		17.3 s
Retraction		13 s
Crowd		4.8 s
Dump		4.0 s
Engine		
Engine brand		Yuchai Engine
Engine norm		National II
Max. fuel sulphur content		5000 ppm
Engine model		YCD4J22T-115
Number of cylinders / Capacity of cylinders		4 - 4400 cm ³
I.C. Engine power rating - Power		114 Hp /85kw
Max. torque /Engine rotation		400 Nm @ 1400 rpm
Drawbar pull (Laden)		9930 daN
Transmission		
Transmission type		Torque converter
Number of gears (forward / reverse)		4 / 4
Max.travel speed		40 km/h
Parking brake		Automatic air-cut brake
Service brake		immersed multi-discs braking on front & rear axles
Hydraulics		
Hydraulic pump type		Gear pump
Hydraulic flow		150L
Tank capacities		
Engine oil		5.5L
Hydraulic oil		170L
Fuel tank		195L
Noise and vibration		
Noise at driving position (LpA)		79 dB
Noise to environment (LwA)		106 dB
Vibration on hands/arms		< 2.50 m / s ²
Miscellaneous		
Steering wheels (front/rear)		2 / 2
Drive wheels (front/rear)		2 / 2
Safety cab homologation		FOPLevel 2 cab



Machine on tyres with forks - with levelling device Metric



Machine on lowered stabilisers with forks Metric

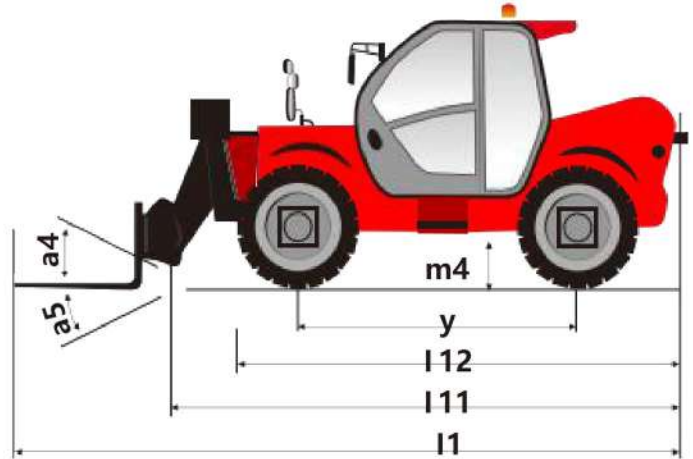
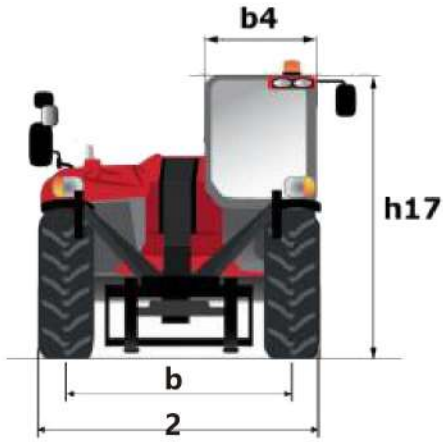


HIXEN MACHINERY

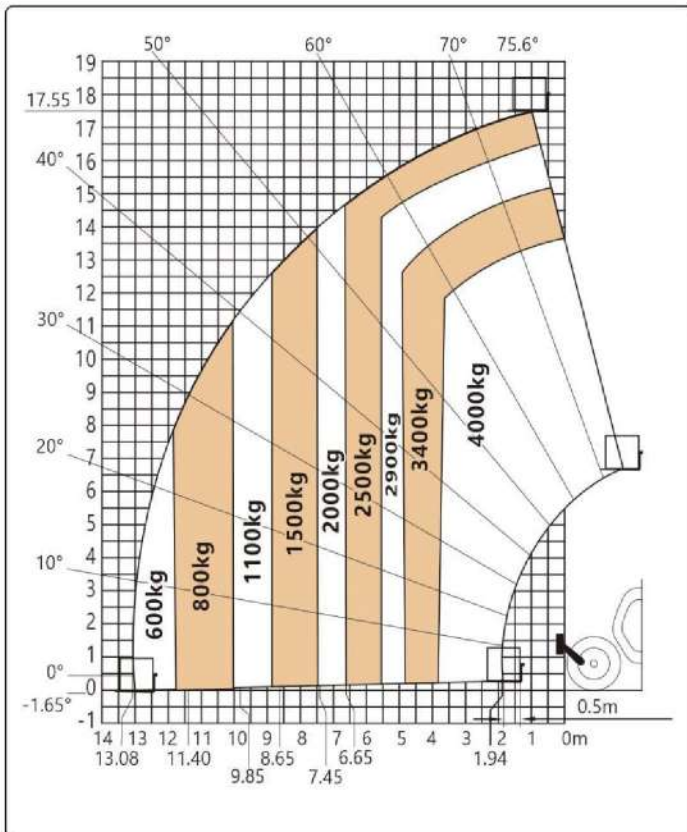
HX4018 TELEHANDLER



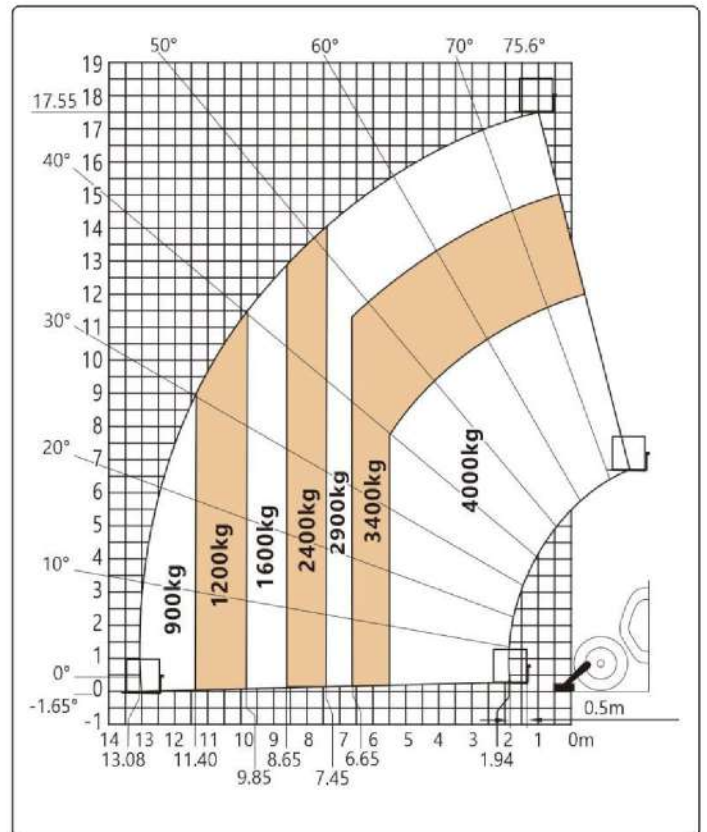
Capacities		HX4018
Max. Capacities		4000 kg
Max. lifting height		17.6 m
Max. outreach		12.8 m
Weight and dimensions		
Overall length to carriage	l11	6.4 m
Length to face of forks	l1	7.62 m
Min transport size	l12	5.6 m
Overall width	b1	2.35 m
Track width	b2	1.95 m
Overall height	h17	2.55 m
Wheelbase	y	3.6 m
Ground clearance	m4	0.38 m
Overall cab width	b4	0.84 m
Tilt-up angle	a4	12 °
Tilt-down angle	a5	90 °
External turning radius(over tyres)		4.1 m
Unladen weight(with fork)		13000 kg
Tires type		Tubeless
Standard tires	l/e/s	440/80-24
Forks length/width/ section		1220 mm x 125 mm /50 mm
Performances		
Lifting		16 s
Lowering		12.4 s
Extension		17.3 s
Retraction		13 s
Crowd		4.8 s
Dump		4.0 s
Engine		
Engine brand		Yuchai Engine
Engine norm		National II
Max. fuel sulphur content		5000 ppm
Engine model		YCD4J22T-115
Number of cylinders / Capacity of cylinders		4 - 4400 cm³
I.C. Engine power rating - Power		114 Hp /85kw
Max. torque /Engine rotation		400 Nm @ 1400 rpm
Drawbar pull (Laden)		9930 daN
Transmission		
Transmission type		Torque converter
Number of gears (forward / reverse)		4 / 4
Max.travel speed		40 km/h
Parking brake		Automatic air-cut brake
Service brake		immersed multi-discs braking on front & rear axles
Hydraulics		
Hydraulic pump type		Gear pump
Hydraulic flow		150L
Tank capacities		
Engine oil		5.5L
Hydraulic oil		170L
Fuel tank		195L
Noise and vibration		
Noise at driving position (LpA)		79 dB
Noise to environment (LwA)		106 dB
Vibration on hands/arms		< 2.50 m / s²
Miscellaneous		
Steering wheels (front/rear)		2 / 2
Drive wheels (front/rear)		2 / 2
Safety cab homologation		FOPSIlevel 2 cab



Machine on tyres with forks - with levelling device Metric



Machine on lowered stabilisers with forks Metric



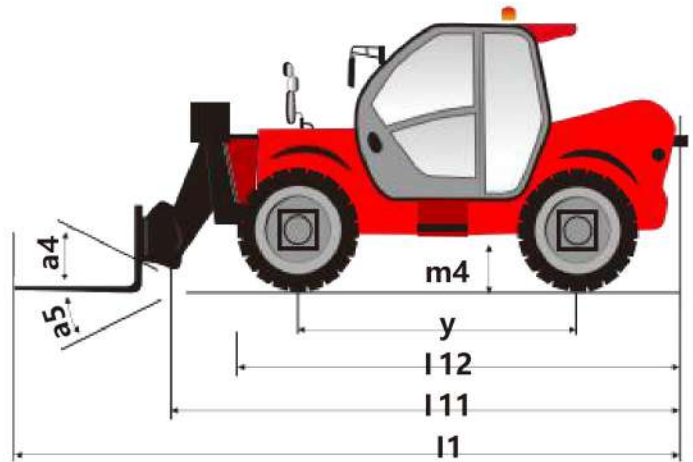
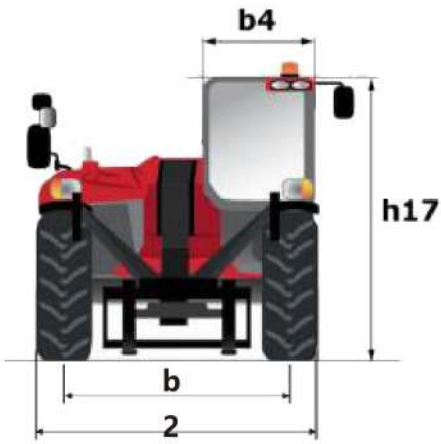
HIXEN MACHINERY

HX5010 TELEHANDLER

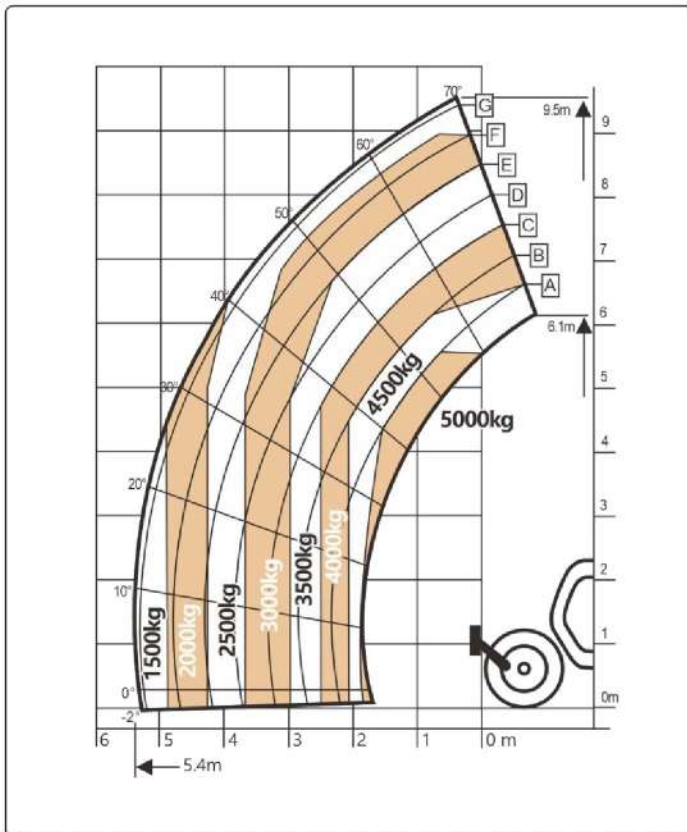


 **HIXEN**

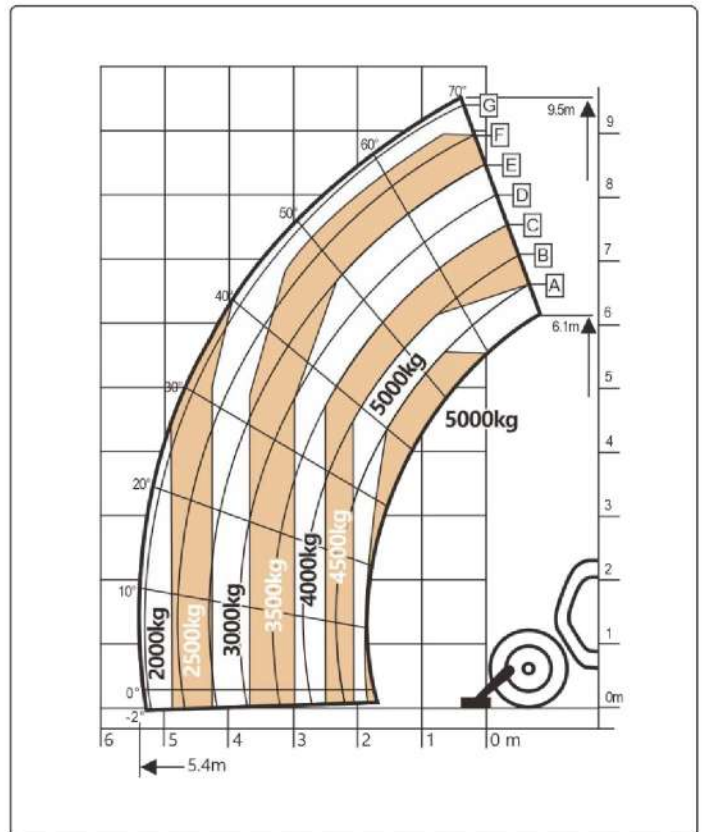
Capacities		HX5010
Max. Capacities		5000 kg
Max. lifting height		9.8 m
Max. outreach		5.0 m
Weight and dimensions		
Overall length to carriage	l11	6.4 m
Length to face of forks	l1	7.62 m
Min transport size	l12	5.6 m
Overall width	b1	2.35 m
Track width	b2	1.95 m
Overall height	h17	2.55 m
Wheelbase	y	3.6 m
Ground clearance	m4	0.38 m
Overall cab width	b4	0.84 m
Tilt-up angle	a4	12 °
Tilt-down angle	a5	90 °
External turning radius(over tyres)		4.1 m
Unladen weight(with fork)		12800 kg
Tires type		Semi-solid
Standard tires	l/e/s	16/70-24
Forks length/width/ section		1220 mm x 125 mm /50 mm
Performances		
Lifting		16 s
Lowering		12.4 s
Extension		17.3 s
Retraction		13 s
Crowd		4.8 s
Dump		4.0 s
Engine		
Engine brand		Yuchai Engine
Engine norm		National II
Max. fuel sulphur content		5000 ppm
Engine model		YCD4J22T-125
Number of cylinders / Capacity of cylinders		4 - 4400 cm ³
I.C. Engine power rating - Power		122 Hp /91kw
Max. torque /Engine rotation		400 Nm @ 1400 rpm
Drawbar pull (Laden)		10000 daN
Transmission		
Transmission type		Torque converter
Number of gears (forward / reverse)		4 / 4
Max travel speed		40 km/h
Parking brake		Automatic air-cut brake
Service brake		immersed multi-discs braking on front & rear axles
Hydraulics		
Hydraulic pump type		Gear pump
Hydraulic flow		150L
Tank capacities		
Engine oil		5.5L
Hydraulic oil		170L
Fuel tank		195L
Noise and vibration		
Noise at driving position (LpA)		79 dB
Noise to environment (LwA)		106 dB
Vibration on hands/arms		< 2.50 m / s ²
Miscellaneous		
Steering wheels (front/rear)		2 / 2
Drive wheels (front/rear)		2 / 2
Safety cab homologation		FOPslevel 2 cab



Machine on tyres with forks - with levelling device Metric



Machine on lowered stabilisers with forks Metric



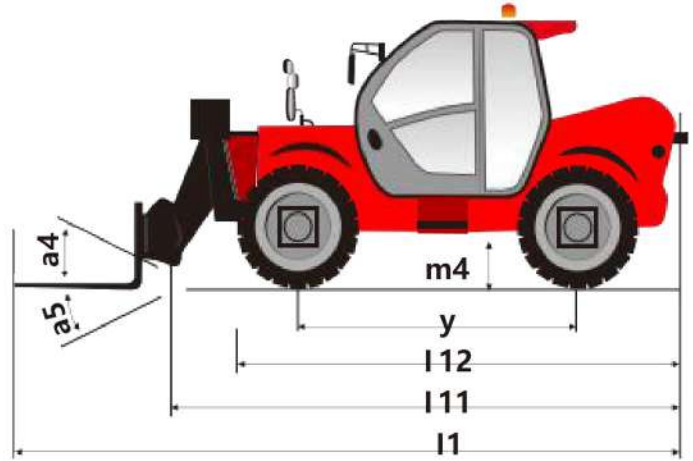
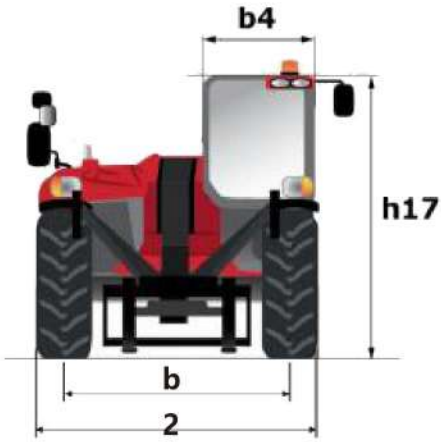
HIXEN MACHINERY

HX5014 TELEHANDLER

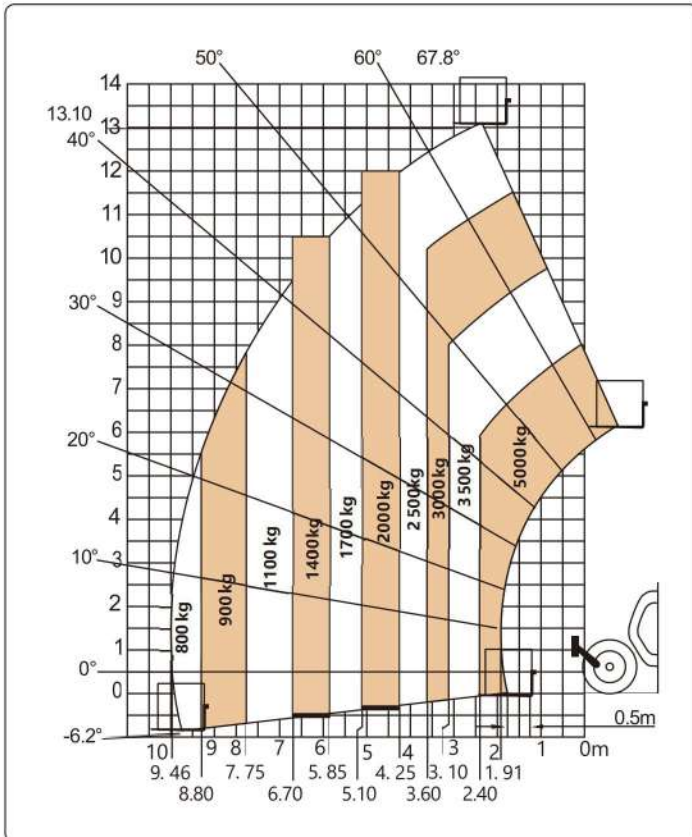


 **HIXEN**

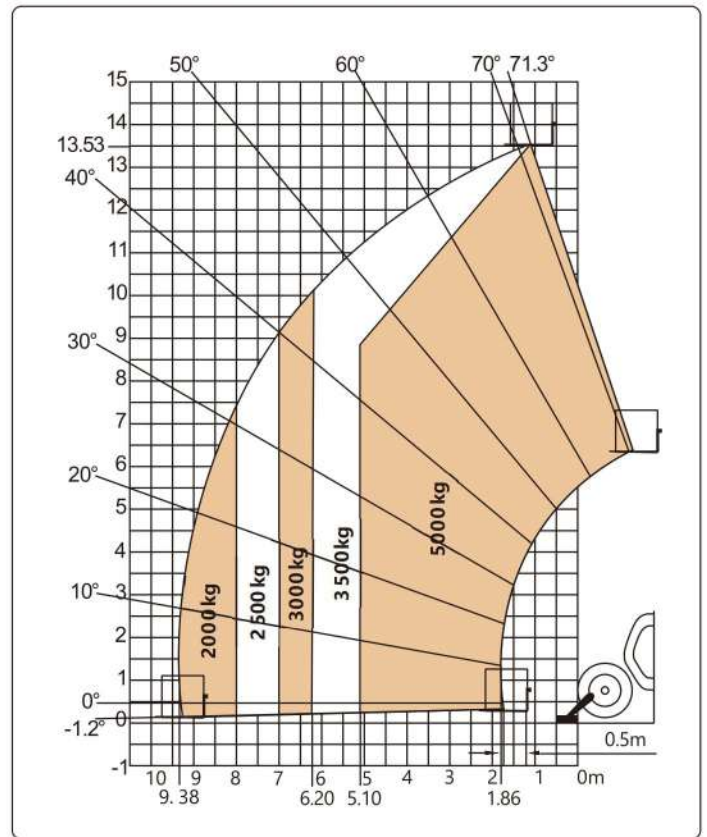
Capacities		HX5014
Max. Capacities		5000 kg
Max. lifting height		13.8 m
Max. outreach		8.0 m
Weight and dimensions		
Overall length to carriage	l11	6.6 m
Length to face of forks	l1	7.82 m
Min transport size	l12	6.3 m
Overall width	b1	2.35 m
Track width	b2	1.90 m
Overall height	h17	2.55 m
Wheelbase	y	3.6 m
Ground clearance	m4	0.38 m
Overall cab width	b4	0.84 m
Tilt-up angle	a4	12 °
Tilt-down angle	a5	90 °
External turning radius(over tyres)		4.1 m
Unladen weight(with fork)		13600 kg
Tires type		Tubeless
Standard tires	l/e/s	440/80-24
Forks length/width/ section		1220 mm x 125 mm /50 mm
Performances		
Lifting		26 s
Lowering		26 s
Extension		29 s
Retraction		17 s
Crowd		9 s
Dump		9 s
Engine		
Engine brand		Yuchai Engine
Engine norm		National II
Max. fuel sulphur content		5000 ppm
Engine model		YCD4J22T-125
Number of cylinders / Capacity of cylinders		4 - 4400 cm ³
I.C. Engine power rating - Power		122 Hp /91kw
Max. torque /Engine rotation		400 Nm @ 1400 rpm
Drawbar pull (Laden)		10000 daN
Transmission		
Transmission type		Torque converter
Number of gears (forward / reverse)		4 / 4
Max travel speed		40 km/h
Parking brake		Automatic air-cut brake
Service brake		immersed multi-discs braking on front & rear axles
Hydraulics		
Hydraulic pump type		Gear pump
Hydraulic flow		150L
Tank capacities		
Engine oil		5.5L
Hydraulic oil		190L
Fuel tank		195L
Noise and vibration		
Noise at driving position (LpA)		79 dB
Noise to environment (LwA)		106 dB
Vibration on hands/arms		< 2.50 m / s ²
Miscellaneous		
Steering wheels (front/rear)		2 / 2
Drive wheels (front/rear)		2 / 2
Safety cab homologation		FOPSlevel 2 cab



Machine on tyres with forks-with levelling device Metric



Machine on lowered stabilisers with forks Metric

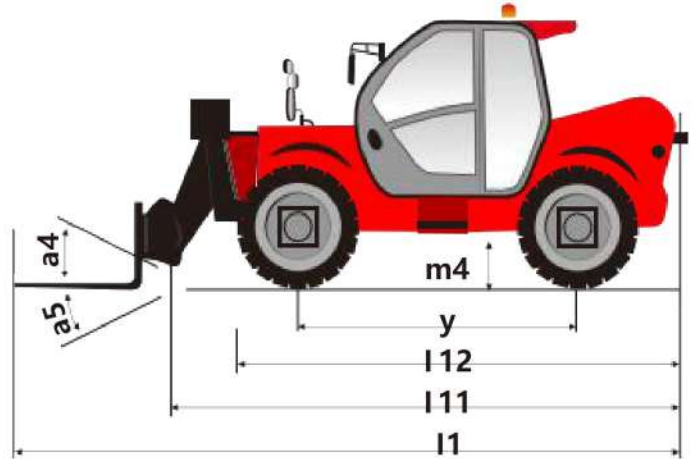
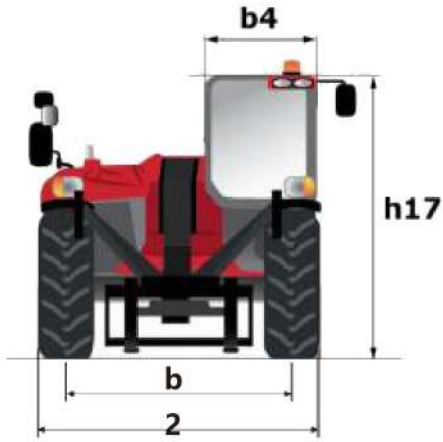


HIXEN MACHINERY

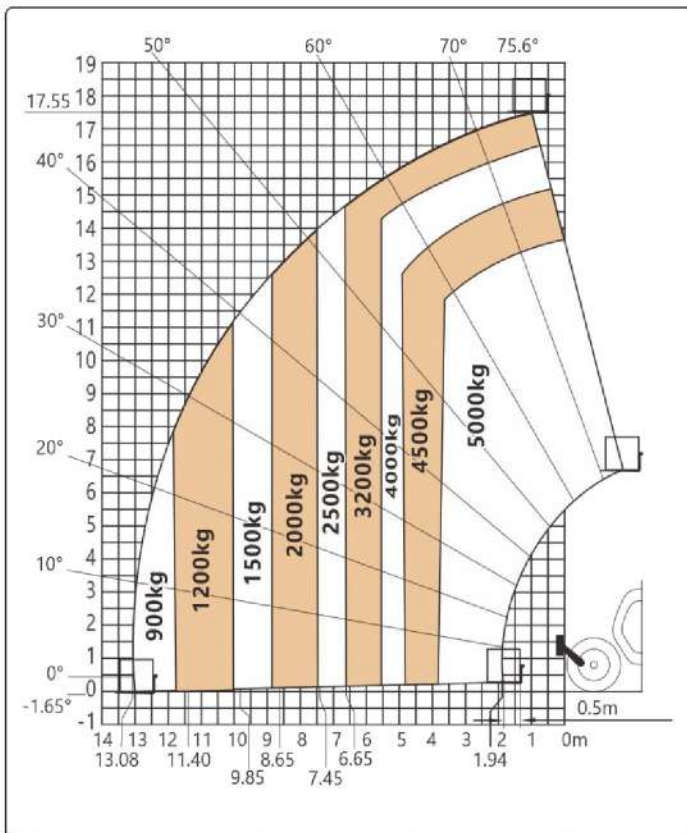
HX5018 TELEHANDLER



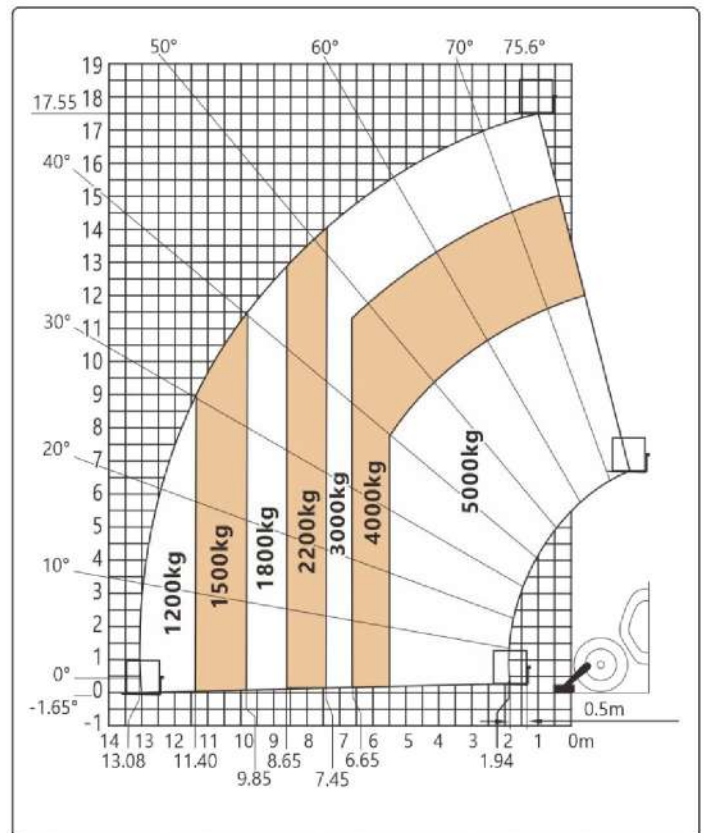
Capacities		HX5018
Max. Capacities		5000 kg
Max. lifting height		17.55 m
Max. outreach		11.2 m
Weight and dimensions		
Overall length to carriage	l11	6.6 m
Length to face of forks	l1	7.82 m
Min transport size	l12	6.3 m
Overall width	b1	2.35 m
Track width	b2	1.95 m
Overall height	h17	2.65 m
Wheelbase	y	3.6 m
Ground clearance	m4	0.38 m
Overall cab width	b4	0.84 m
Tilt-up angle	a4	12 °
Tilt-down angle	a5	90 °
External turning radius(over tyres)		4.1 m
Unladen weight(with fork)		14100 kg
Tires type		Tubeless
Standard tires	l/e/s	440/80-24
Forks length/width/ section		1220 mm x 125 mm /50 mm
Performances		
Lifting		35 s
Lowering		35 s
Extension		29 s
Retraction		17 s
Crowd		9 s
Dump		9 s
Engine		
Engine brand		Yuchai Engine
Engine norm		National II
Max. fuel sulphur content		5000 ppm
Engine model		YCD4J22T-125
Number of cylinders / Capacity of cylinders		4 - 4400 cm ³
I.C. Engine power rating - Power		122 Hp /91kw
Max. torque /Engine rotation		400 Nm @ 1400 rpm
Drawbar pull (Laden)		10000 daN
Transmission		
Transmission type		Torque converter
Number of gears (forward / reverse)		4 / 4
Max travel speed		40 km/h
Parking brake		Automatic air-cut brake
Service brake		immersed multi-discs braking on front & rear axles
Hydraulics		
Hydraulic pump type		Gear pump
Hydraulic flow		150L
Tank capacities		
Engine oil		5.5L
Hydraulic oil		170L
Fuel tank		195L
Noise and vibration		
Noise at driving position (LpA)		79 dB
Noise to environment (LwA)		106 dB
Vibration on hands/arms		< 2.50 m / s ²
Miscellaneous		
Steering wheels (front/rear)		2 / 2
Drive wheels (front/rear)		2 / 2
Safety cab homologation		FOPStlevel 2 cab



Machine on tyres with forks - with levelling device Metric



Machine on lowered stabilisers with forks Metric



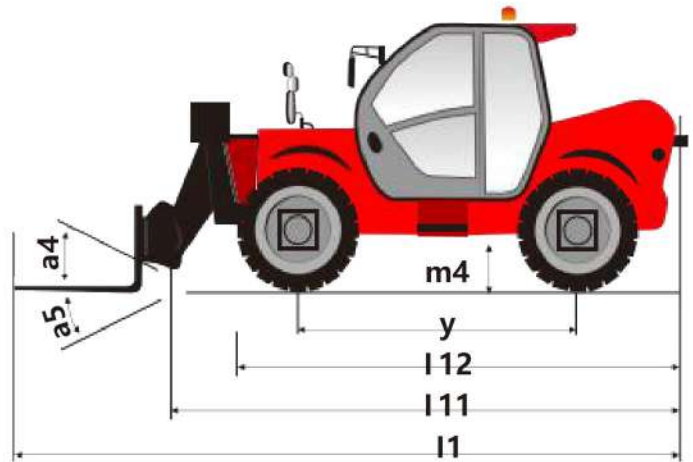
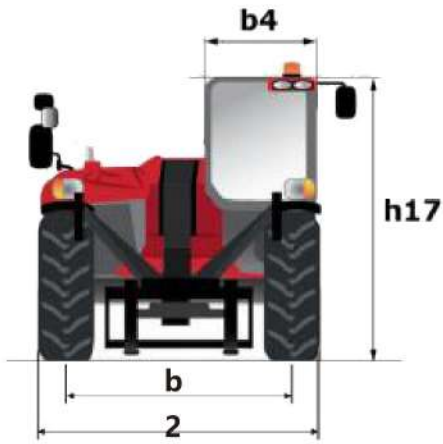
HIXEN MACHINERY

HX6018 TELEHANDLER

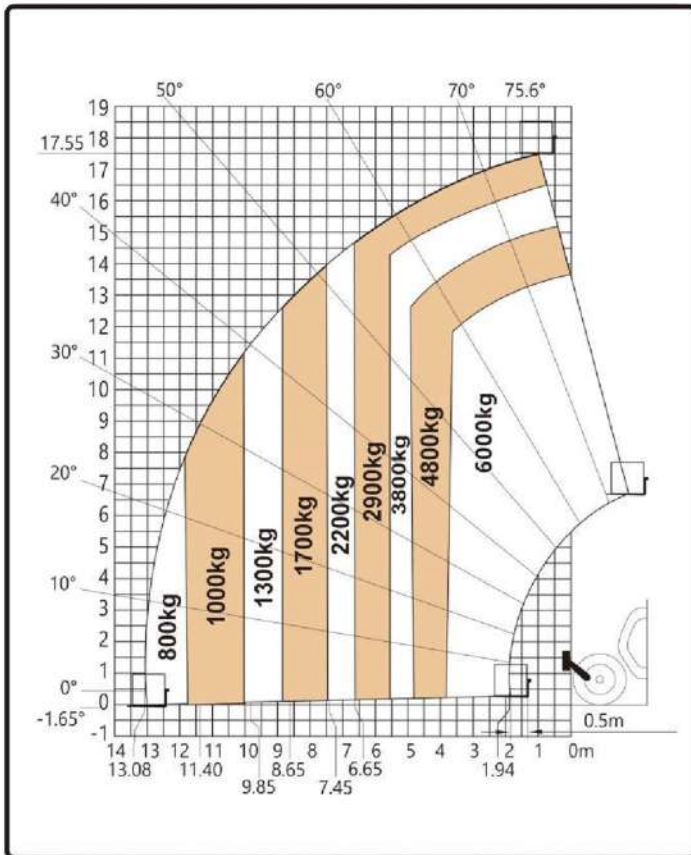


 **HIXEN**

Capacities		HX6018
Max. Capacities		6000 kg
Max. lifting height		17.60 m
Max. outreach		12 m
Weight and dimensions		
Overall length to carriage	l11	6.9 m
Length to face of forks	l1	8.12 m
Min transport size	l12	6.4 m
Overall width	b1	2.7 m
Track width	b2	2.3 m
Overall height	h17	2.76 m
Wheelbase	y	3.6 m
Ground clearance	m4	0.50 m
Overall cab width	b4	0.84 m
Tilt-up angle	a4	12 °
Tilt-down angle	a5	90 °
External turning radius(over tyres)		4.1 m
Unladen weight(with fork)		17000 kg
Tires type		Tubeless
Standard tires	l/e/s	17.5-25
Forks length/width/ section		1220 mm x 125 mm /50 mm
Performances		
Lifting		35 s
Lowering		35 s
Extension		29 s
Retraction		17 s
Crowd		9 s
Dump		9 s
Engine		
Engine brand		Yuchai Engine
Engine norm		National II
Max. fuel sulphur content		5000 ppm
Engine model		1PG605
Number of cylinders / Capacity of cylinders		4 - 4400 cm ³
I.C. Engine power rating - Power		150 Hp /110kw
Max. torque /Engine rotation		400 Nm @ 1400 rpm
Drawbar pull (Laden)		10000 daN
Transmission		
Transmission type		Torque converter
Number of gears (forward / reverse)		4 / 4
Max travel speed		40 km/h
Parking brake		Automatic air-cut brake
Service brake		immersed multi-discs braking on front & rear axles
Hydraulics		
Hydraulic pump type		Gear pump
Hydraulic flow		180L
Tank capacities		
Engine oil		5.5L
Hydraulic oil		170L
Fuel tank		195L
Noise and vibration		
Noise at driving position (LpA)		82 dB
Noise to environment (LwA)		105 dB
Vibration on hands/arms		< 2.50 m / s ²
Miscellaneous		
Steering wheels (front/rear)		2 / 2
Drive wheels (front/rear)		2 / 2
Safety cab homologation		FOPStlevel 2 cab



Machine on tyres with forks - with levelling device Metric



Machine on lowered stabilisers with forks Metric

